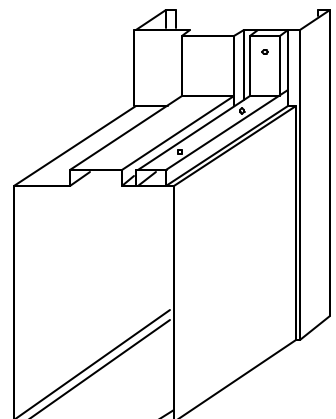
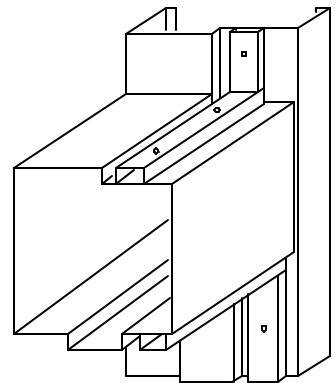
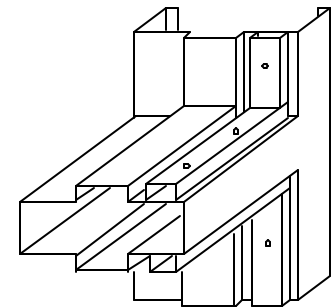
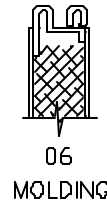
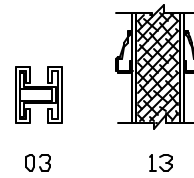
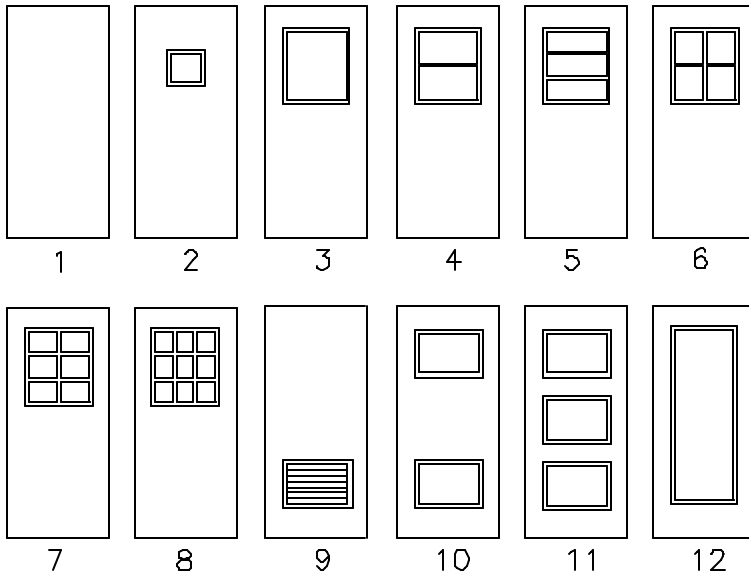


The PHILIPP Manufacturing Company

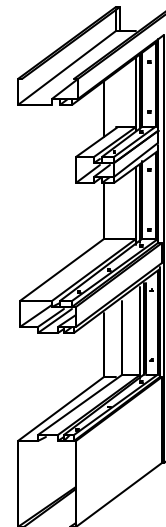
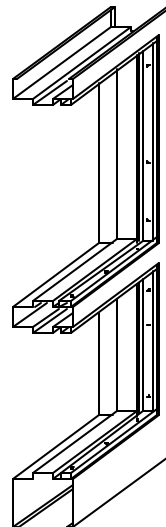
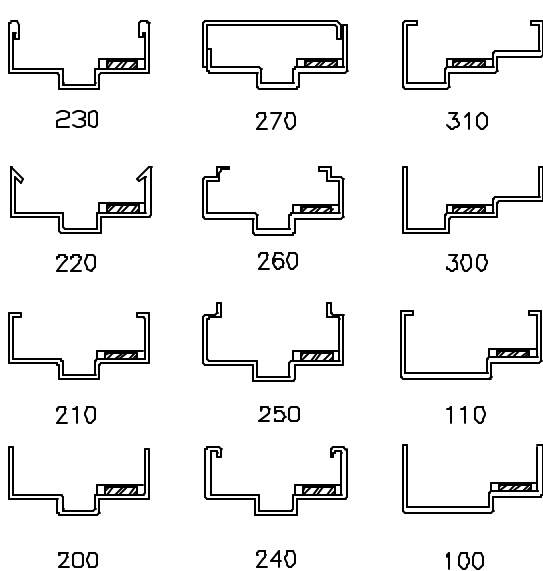
19 Ward Avenue
tel 413-527-4444

Easthampton, MA 01027
fax 413-527-4446

DOOR TYPES



FRAME TYPES



FLUSH FACES

INDENTED FACES

member

NAAMM

Since 1922

